

**X-LIMITED**

Personal Mobility

**PRODUCT MANUAL**



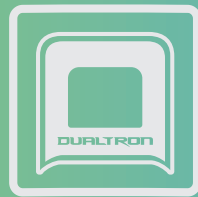


Scan the QR code to download the latest user materials  
and obtain the latest updates and safety instructions.

# DUALTRON

The dream of electric technology.

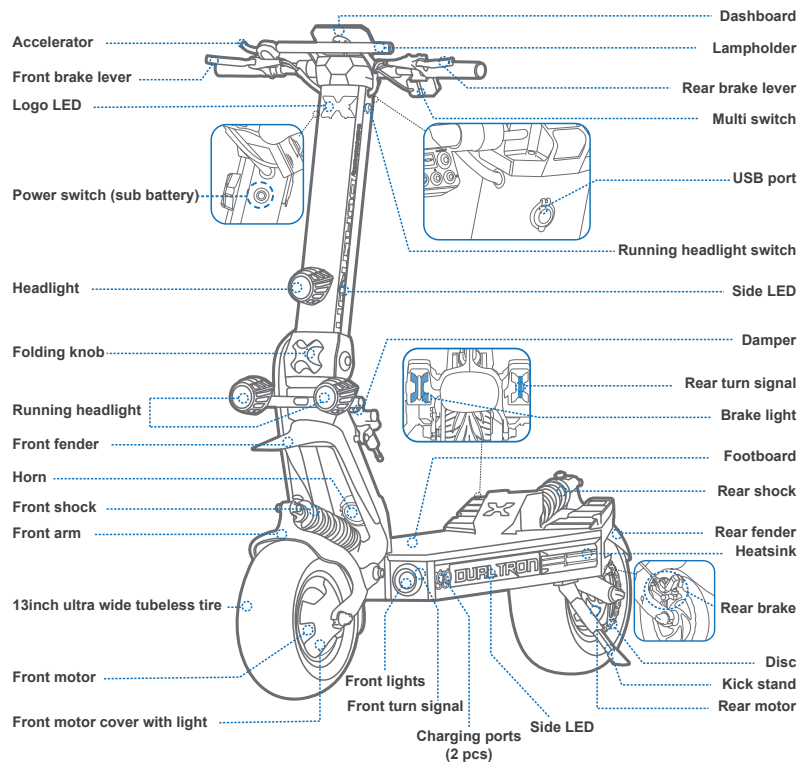
The pictures shown are for illustration purposes only. Actual product may vary.



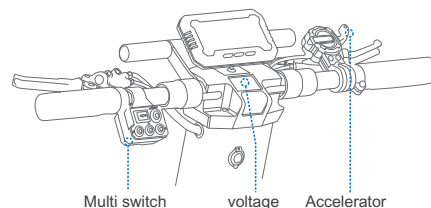
*MINIMOTORS*





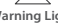


## Diagram And Functions



## Handlebar Functions



| Name   | Function                          | Operation method  |
|--|-----------------------------------|---|
| <br>Turn Signal Button   | Turn on/off the left/right signal | Press the left/right side of the Turn Signal Button, the left/right turn signal will keep blinking.                   |
| <br>Headlight Button     | Turn on/off the headlight         | Press the Headlight Button, the headlight is on; Press it again, the headlight is off.                                |
| <br>Horn Button          | Turn on the horn                  | Press the Horn Button, the scooter will beep once.  |
| <br>Ambient Light Button | Turn on/off ambient light         | Press the Ambient Light Button, turn on/off both sides of ambient light.  |
| <br>Warning Light Button | Turn on the warning light         | Press the Warning Light Button, the left&right signals will keep blinking until press the Warning Light Button again. |
| Voltage  | Check sub battery voltage         | Theoretical operating voltage for sub battery is from 8.25v to 12.6v.   |
| Accelerator  | Speed up                          | Pull the throttle to accelerate.  |



## Specifications

|                     | Item                            | Parameter   |
|---------------------|---------------------------------|---|
| <b>Product</b>      | Model                           | DUALTRON X LIMITED  |
|                     | Length × Width × Height         | 1450x648x1400mm   |
|                     | Folded: Length × Width × Height | 1450x358x775mm  |
|                     | Net Weight                      | 82.9kg  |
| <b>Rider</b>        | Max. load                       | 150kg   |
|                     | Recommended Age                 | 14–60 years old   |
| <b>Machine</b>      | Wheelbase                       | Approx.1100mm   |
|                     | Ground Clearance                | Approx.190mm  |
|                     | Drive System                    | Two-wheel drive   |
|                     | Max. Speed                      | Around 110km/h  |
|                     | Theoretical Range               | Around 170km  |
|                     | Typical Range                   | Around 140km  |
|                     | Max. Slope                      | Around 70% (35°)  |
|                     | Traversable Terrain             | Asphalt/flat pavement; obstacles < 5 cm; gaps < 5 cm  |
|                     | Operating Temperature           | -5 to 45°C  |
| Storage Temperature | -20 to 50°C                     |   |
| <b>Display</b>      | Type                            | EY4 LCD Bluetooth Display(Ability to connect to DUALTRON APP)   |
|                     | Size Of LCD                     | 95*36mm, about 4.2 inches   |
| <b>Brake</b>        | Type                            | Hydraulic brake   |
|                     | Quantity Of Pistons             | 4-pistons   |
|                     | Electric Brake                  | ABS&EBS <span style="color: red;">△</span> (Indicating the battery temperature exceeds 55°C,BMS start protection program, ABS/EBS fails.) |



## Specifications

|                   |                              |  |                               |
|-------------------|------------------------------|--|-------------------------------|
| <b>Battery</b>    | Duration of Charging         | Approx. 15 h(main battery)   | Approx. 4 h(sub battery)      |
|                   | Battery Capacity             | 84V60Ah  | 11V20Ah                       |
|                   | Charging Ambient Temperature | 0 to 40°C (Battery temperature exceeds 55°C,BMS start protection program..)          |                               |
|                   | Battery Management System    | Over-heating, short circuit, over-current, over-discharge and over-charge protection |                               |
| <b>Motor</b>      | Motor Type                   | BLDC Hub Motor   |                               |
|                   | Nominal Power                | 2000W*2  |                               |
|                   | Max. Power                   | 6000W*2  |                               |
| <b>Charger</b>    | Input Voltage                | 100-120V/200-240V~   | 100~240V~                     |
|                   | Max. Output Voltage          | 95.45V 4A(main battery charger)  | 12.6V 5A(sub battery charger) |
| <b>Tire</b>       | Type                         | 13 inch wide tubeless tire   |                               |
|                   | Tire Pressure                | 32 psi   |                               |
|                   | Material                     | Rubber   |                               |
| <b>Suspension</b> | Type                         | Hydraulic spring shock   |                               |
|                   | Spring Rate                  | 950 lbs/in.  |                               |

\*Disclaimer: this is not a legal opinion or legal advice. The information provided herein (including in the App) is for your convenience and information purpose only. It is not intended to cover every piece of law and/or regulation that may be applicable to this product. DUALTRON explicitly hereby disclaims any and all warranty and/or representation, express or implied, related to completeness, accuracy, up-to-date of such information. DUALTRON reserves the right but not obligation to correct, implement and/or update the information. You shall use the information at your own risk. It is your sole responsibility to learn and understand any and all the law and/or regulation, requirements, prohibition, restriction and/or limitation imposed by either law, government authority, court, private party or the others that may apply to your use of this product.

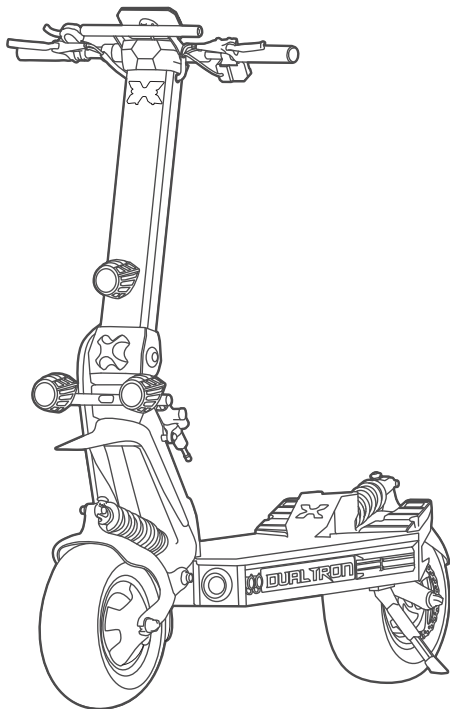
\*Theoretical Range: tested while riding with a full battery, 75 kg load, 25°C, at the speed of 25 km/h on average on pavement.

\*Typical Range: tested while riding with a full battery, 75 kg load, 25°C, at the speed of 50 km/h on average on pavement. (Some of the factors that affect range include speed, number of starts and stops, ambient temperature, etc. )

\*Max.Speed: tested while riding with a full battery,75kg load,25°C,straight road on flat road with no wind. (Some environmental factors can affect max speed,uneven roads, crooked roads, temperature, wind, etc.)



## Packing List



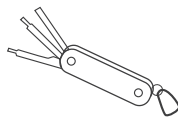
### Accessories



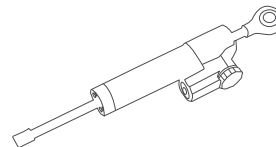
M6 Screw x 4  
M8 Screw x 2  
M6 Elastic Gasket x 4  
M8 Elastic Gasket x 2  
M6 Flat Gasket x 4



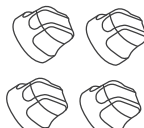
Main battery charger x1  
sub battery charger x1



Multitool x 1



Directional Damper x 1



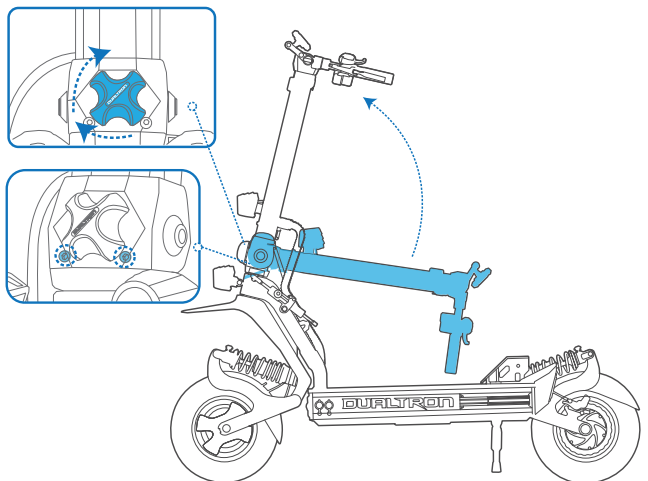
Screw Cap x 4




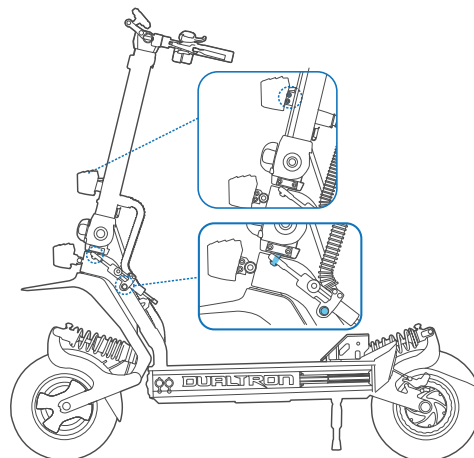
Manual




## Assembly



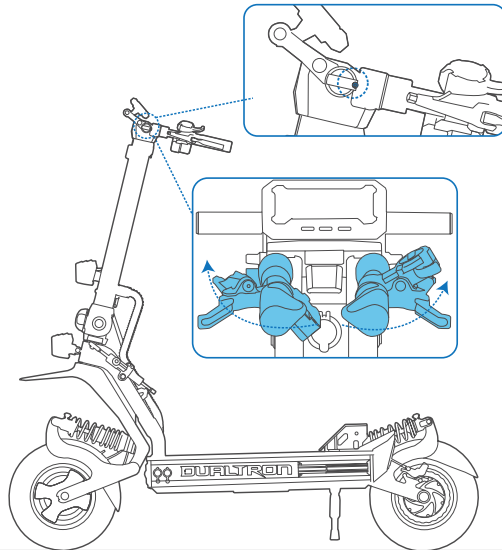
- ① Unfold the steering tube and lock the folding knob firmly.
- ② Install the two M8 screws with the multitool.  (Folding knob may break and then fall down. The screws are very necessary.)



- ③ Install the screws for headlight/damper with the included multitool or An M6 Allen key.
-  DO NOT use an electric screwdriver!



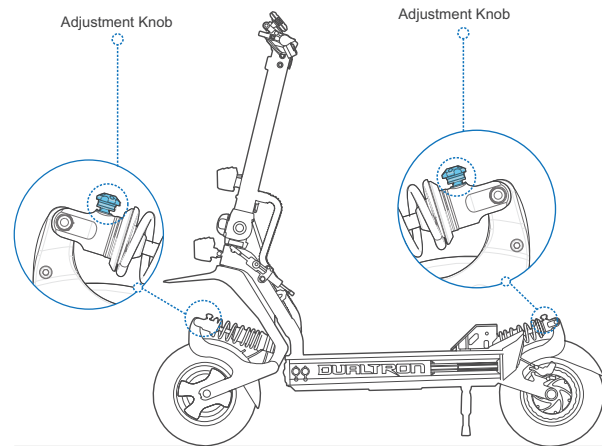
## Assembly



Unfold the handlebars, slide the folding handle lock into position to fix the handle firmly. ⚠️ During use, if the handle is slightly shaken, please unscrew the adjustment screw a little.



## Damper Adjustment

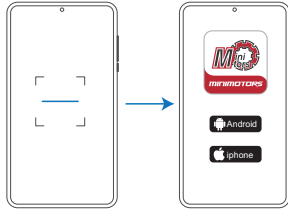


Turn the adjustment knob to the right to increase the shock rebound resistance.  
Turn the adjustment knob to the left to decrease the shock rebound resistance. Note:  
The shock is set to the default position before leaving the factory. Please follow the steps above to adjust it according to your riding habits.



## Bluetooth Connection

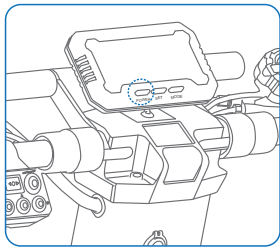
### APP Download Guide



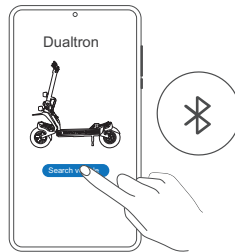
1. Scan the QR code to download the APP.
2. Choose the mobile phone system that suits you to install, and register / log in.



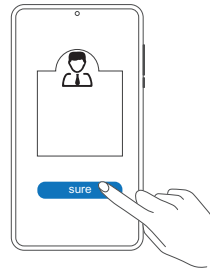
1. Search "DUALTRON" in the application and download it, and register / log in.



Power on the scooter.



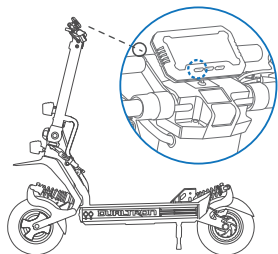
Click "Search vehicle" and pair with your scooter. \* The scooter is connected to the Dualtron app when the Bluetooth symbol lights up.



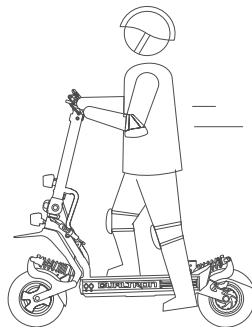
Select bind as owner



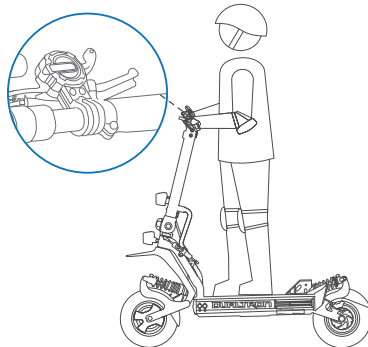
## How to Ride



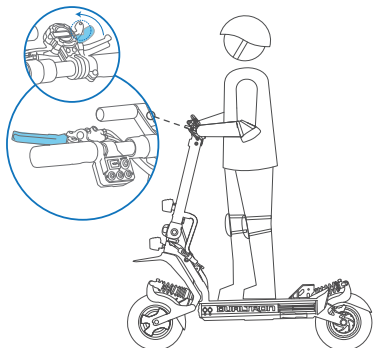
1. Power on the scooter and choose the speed mode. \* Please choose the speed mode before riding! Note: Speed mode can be choose via the Dualtron app.



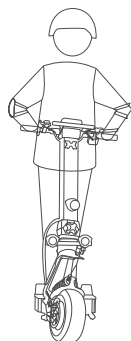
2. Stand on the footboard with one foot and push off with the other foot to start gliding. \*Make sure you have disabled SAFE mode. (SAFE mode setting via Dualtron app. Deactivate safe mode by squeezing brake lever.)



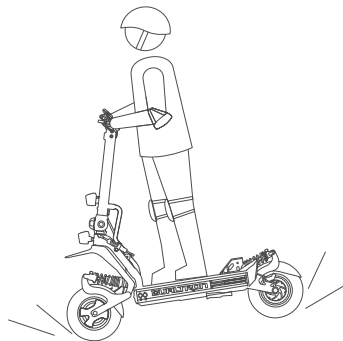
3. Put both feet on the footboard and stand stably. Pull the throttle to speed up.



4. Slow down by releasing the throttle and squeezing brake levers.



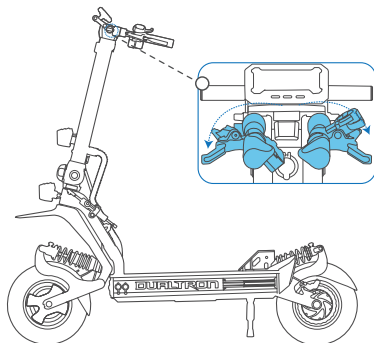
5. To turn, shift your body and turn the handlebar slightly. \* Please watch out for road conditions, sufficient turning space is required.



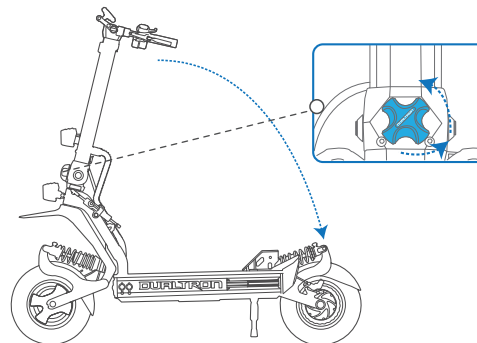
When hard braking, serious danger or injury may occur. Maintain a moderate speed and look out for potential hazards.



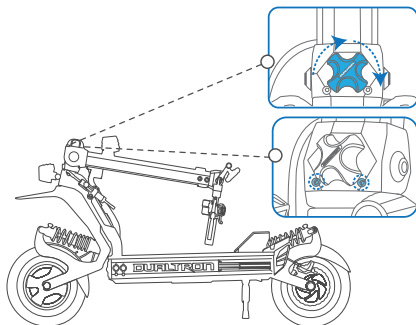
## Folding



Fold the handlebars, slide the folding handle lock out of position to release handles.

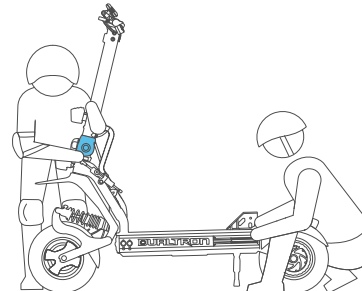


Unscrew the folding knob and M8 screws, then fold the steering tube. **⚠ Risk of pinching!**



Install back the folding knob prevent loss.

Note: Please keep these two M8 screws, they must be installed when unfolding



Lift up the bottom of the front fork and rear foot pedestal to carry if necessary. Make sure the scooter is carried by two or more people. **⚠ Risk of pinching!**





